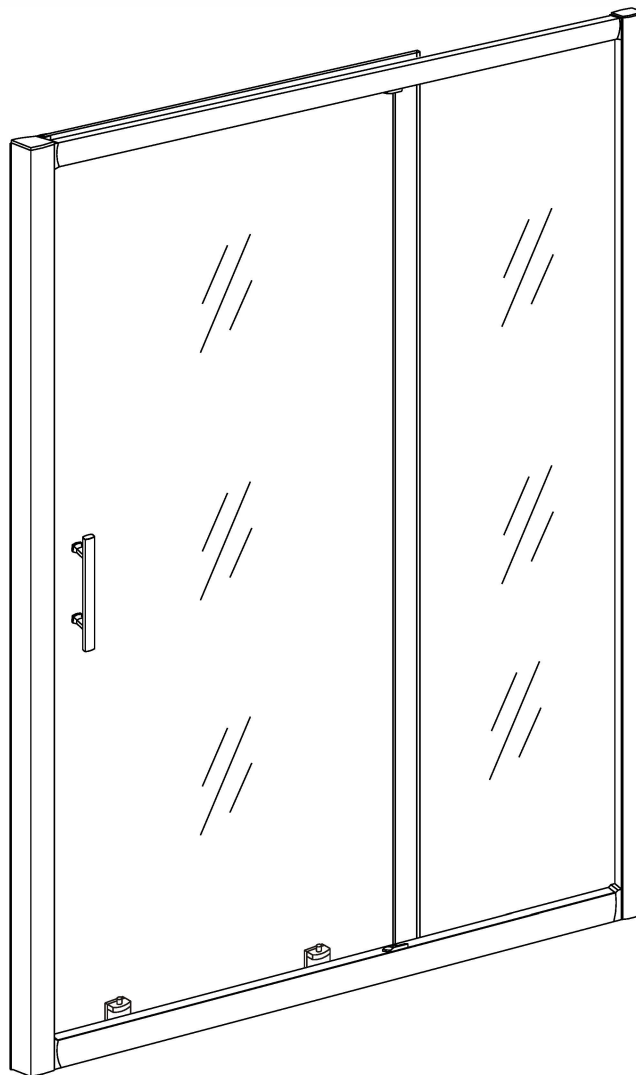
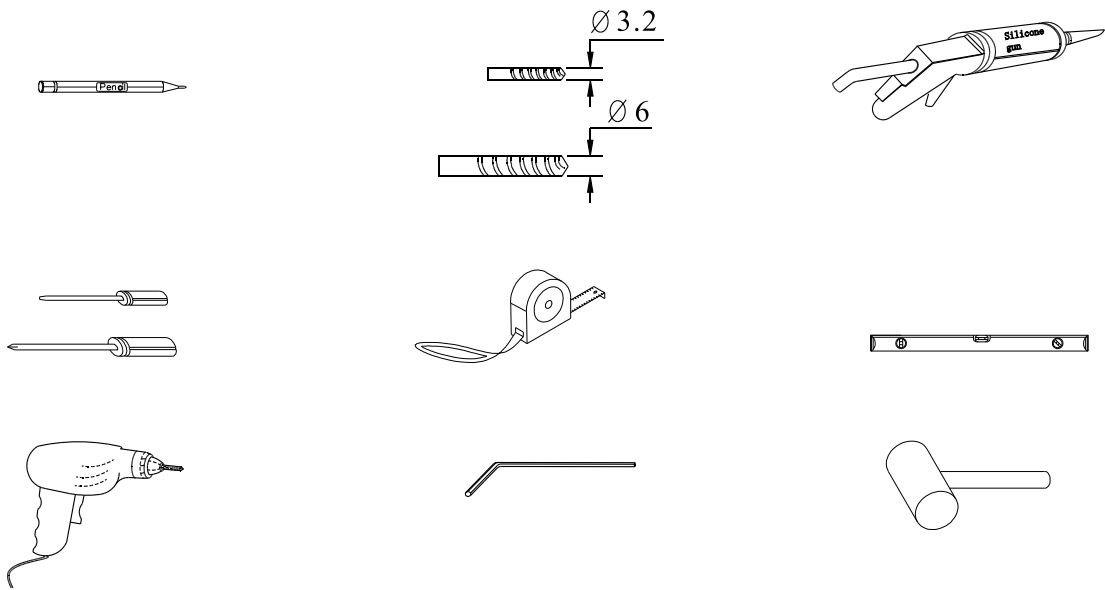


INSTALLATION MANUAL

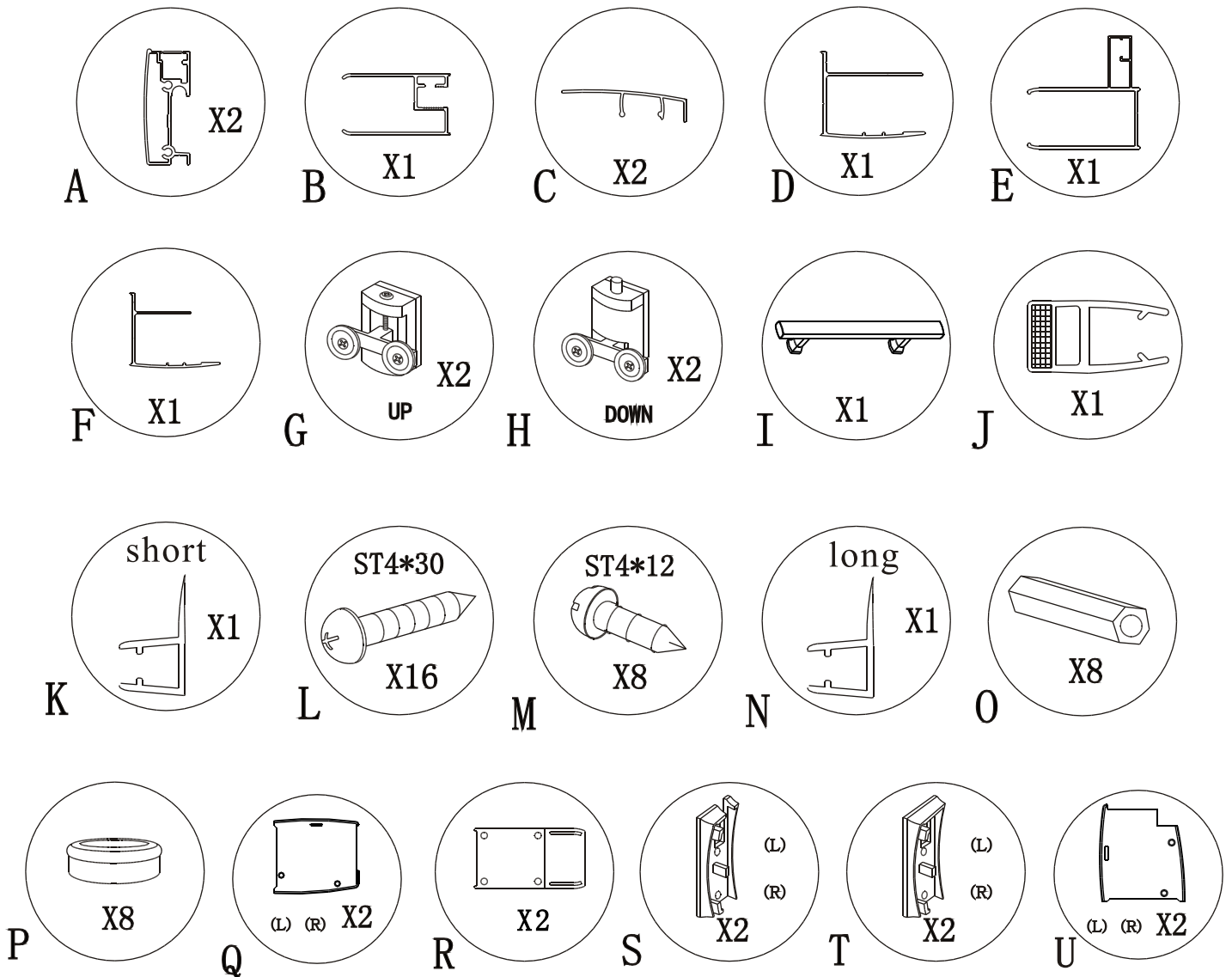
Eastbrook Code	Adjustment	Eastbrook Code	Adjustment
58.575	970-1000	58.572	1470-1500
58.576	1070-1100	58.573	1570-1600
58.577	1170-1200	58.574	1670-1700
58.571	1270-1300	58.579	1770-1800
58.578	1370-1400	58.580	1970 - 2000



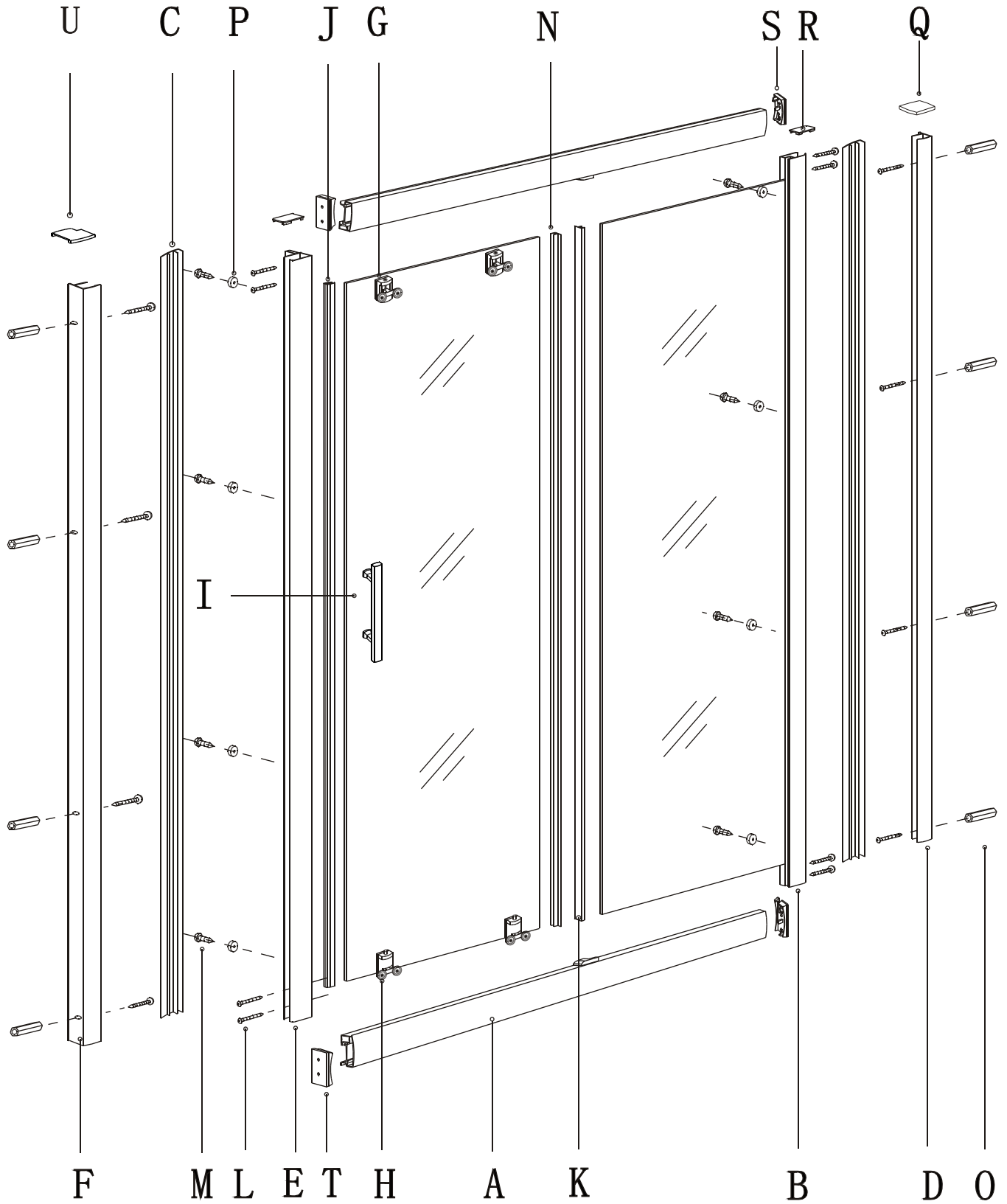
TOOLS REQUIRED

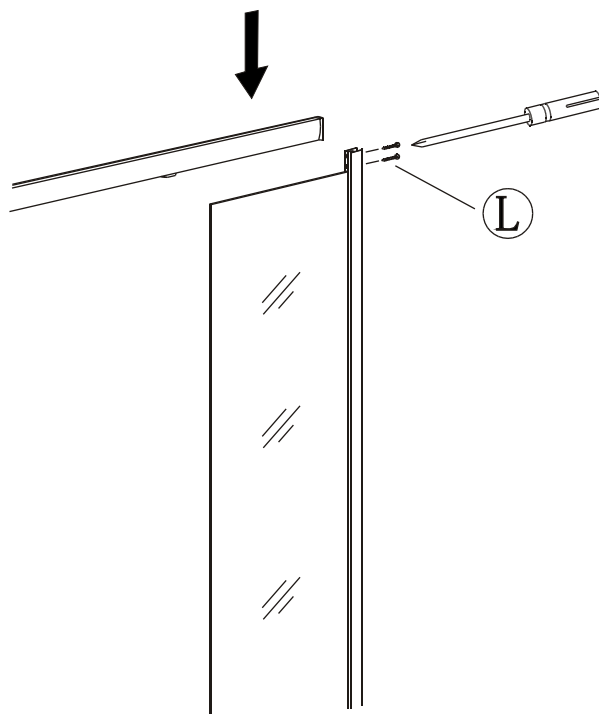
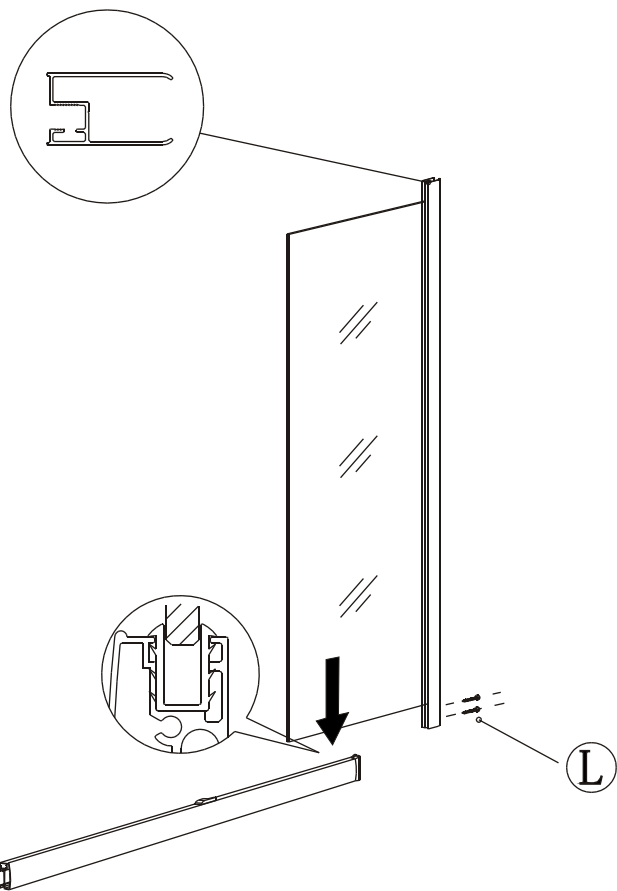
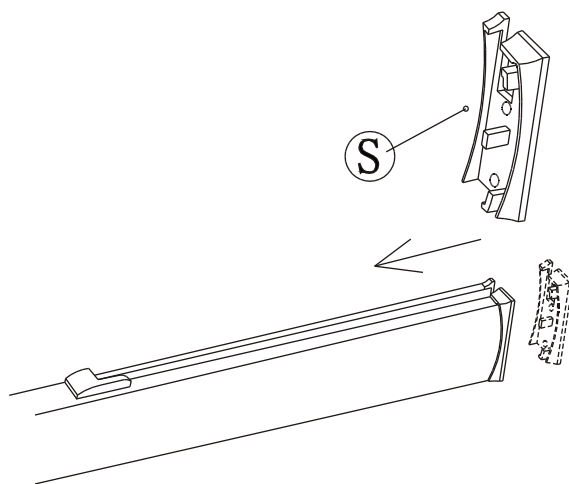
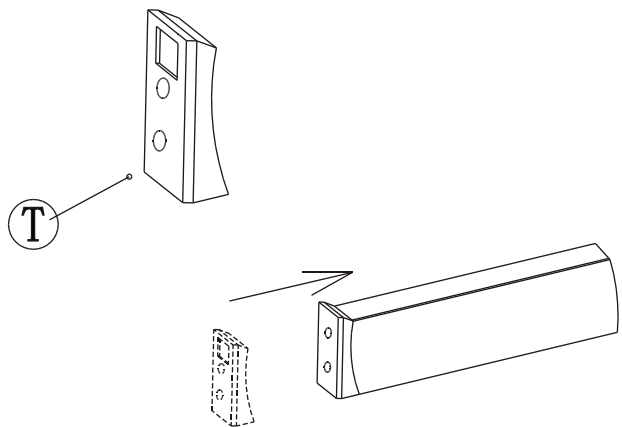


PACKING LIST

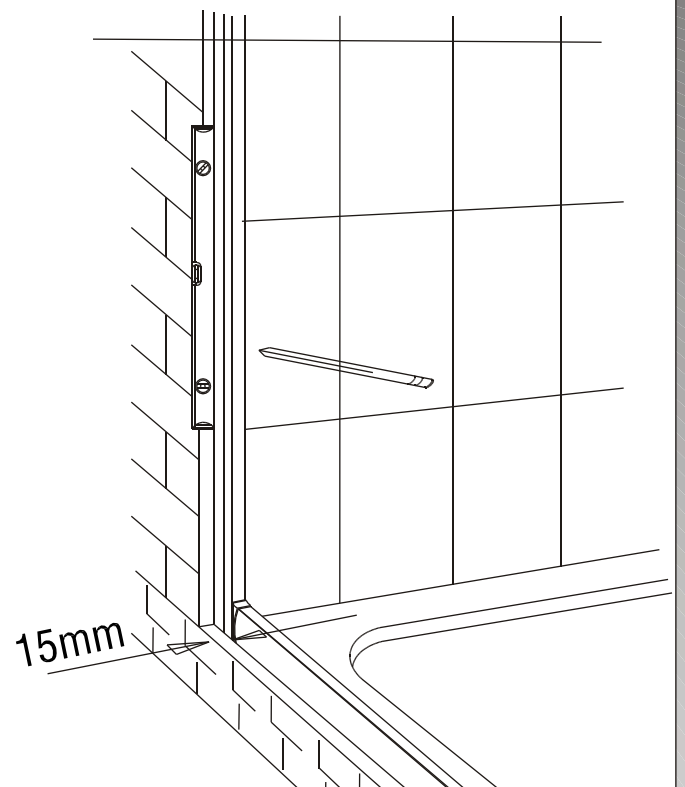
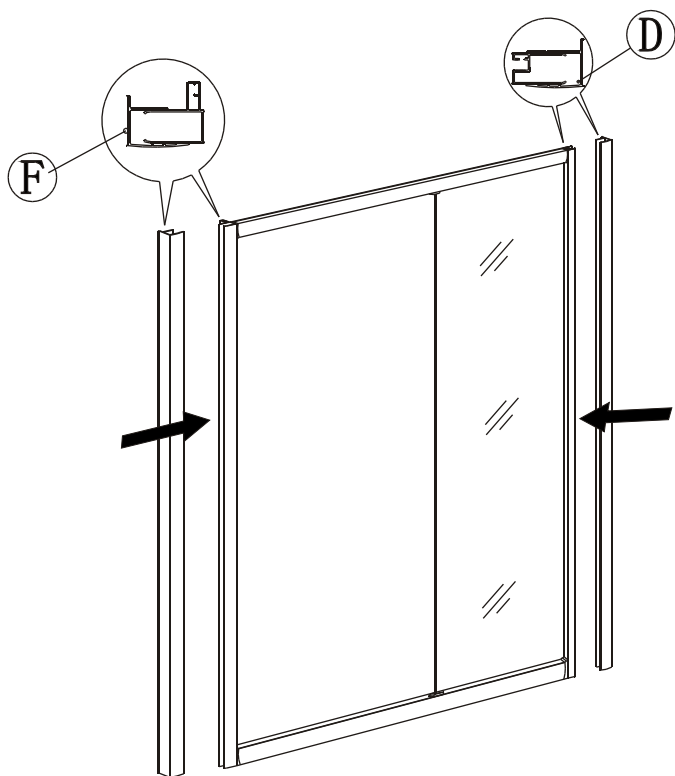
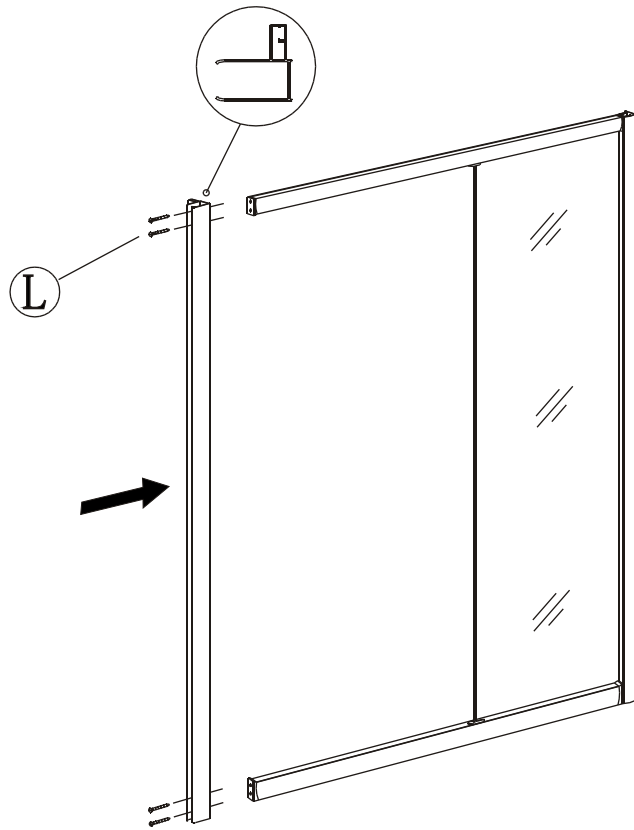


PRODUCT SCHEMATIC DIAGRAM

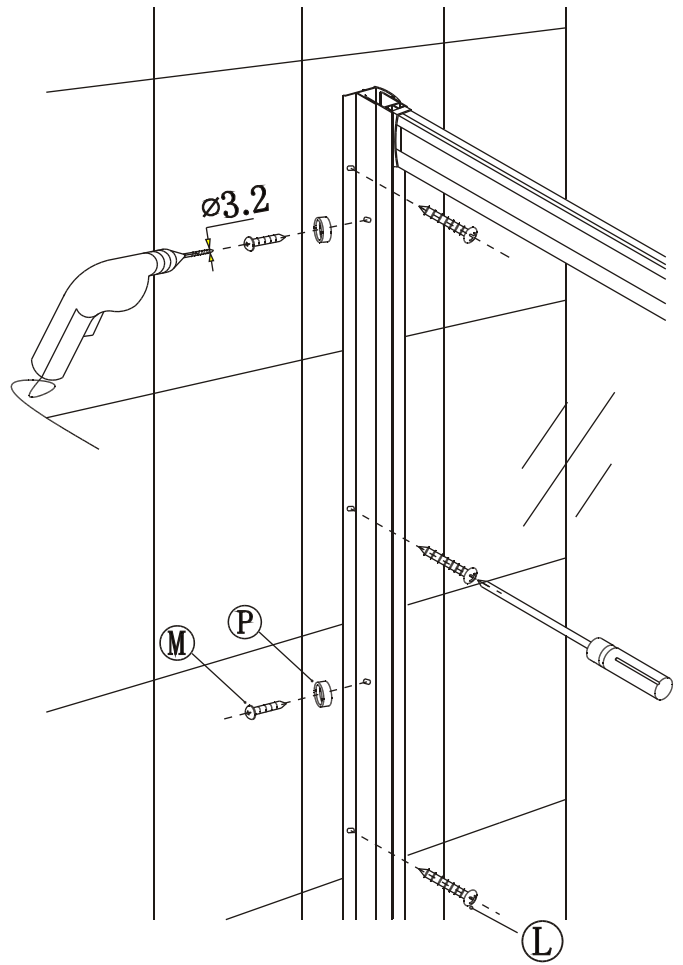
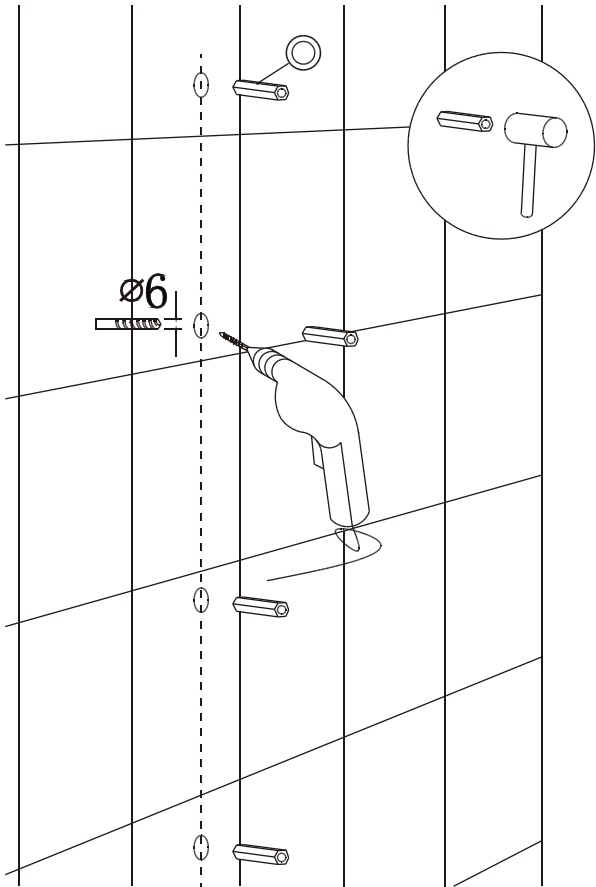




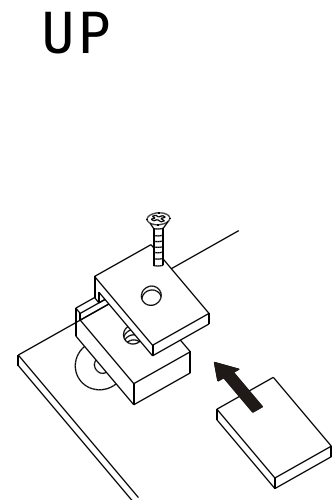
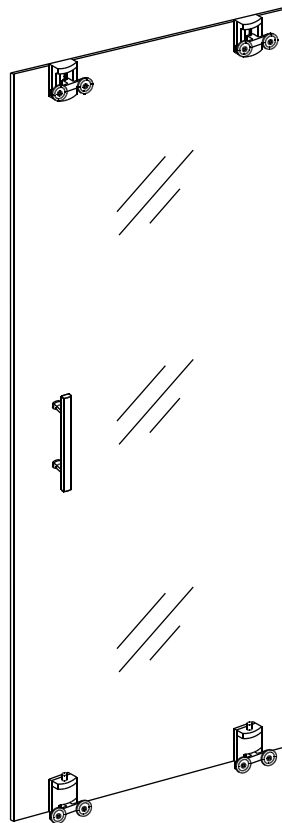
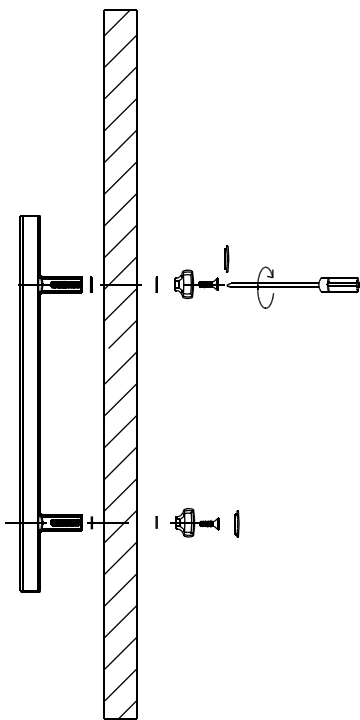
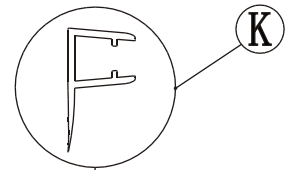
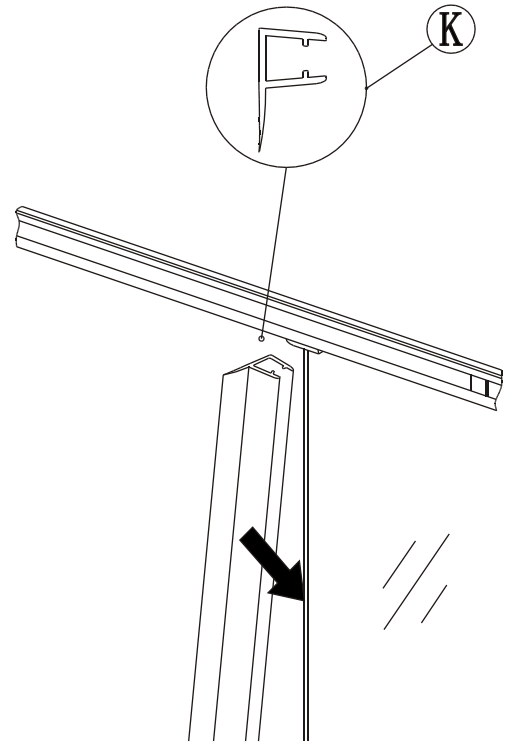
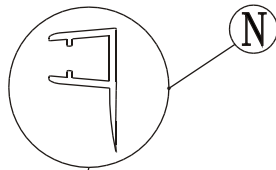
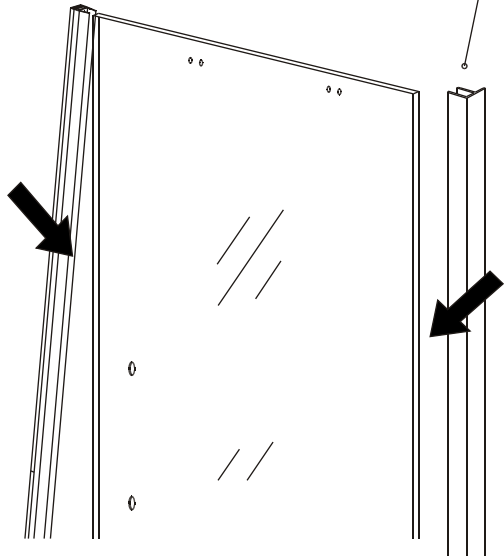
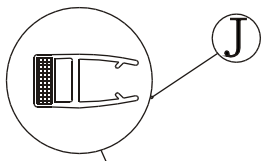
(1)



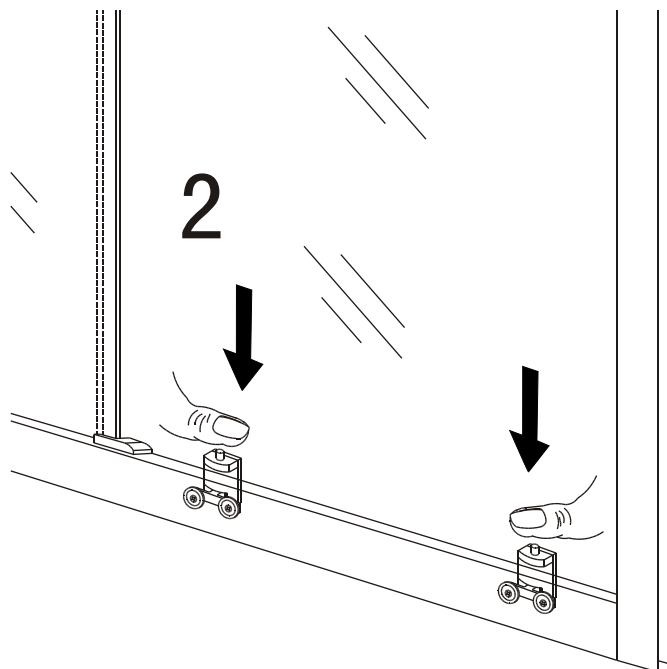
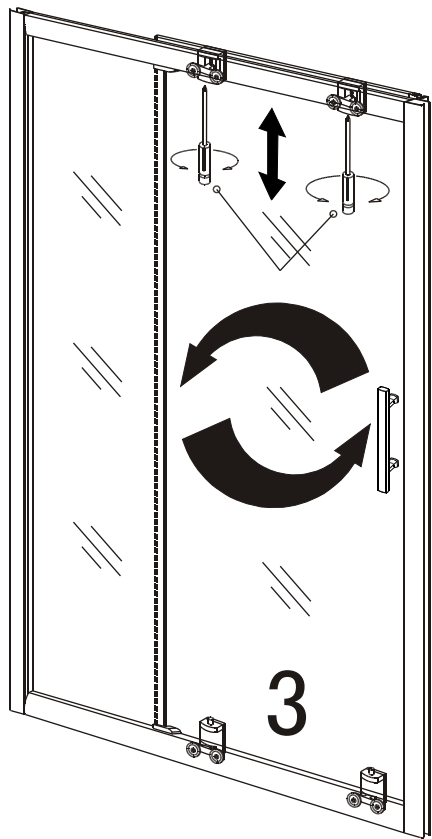
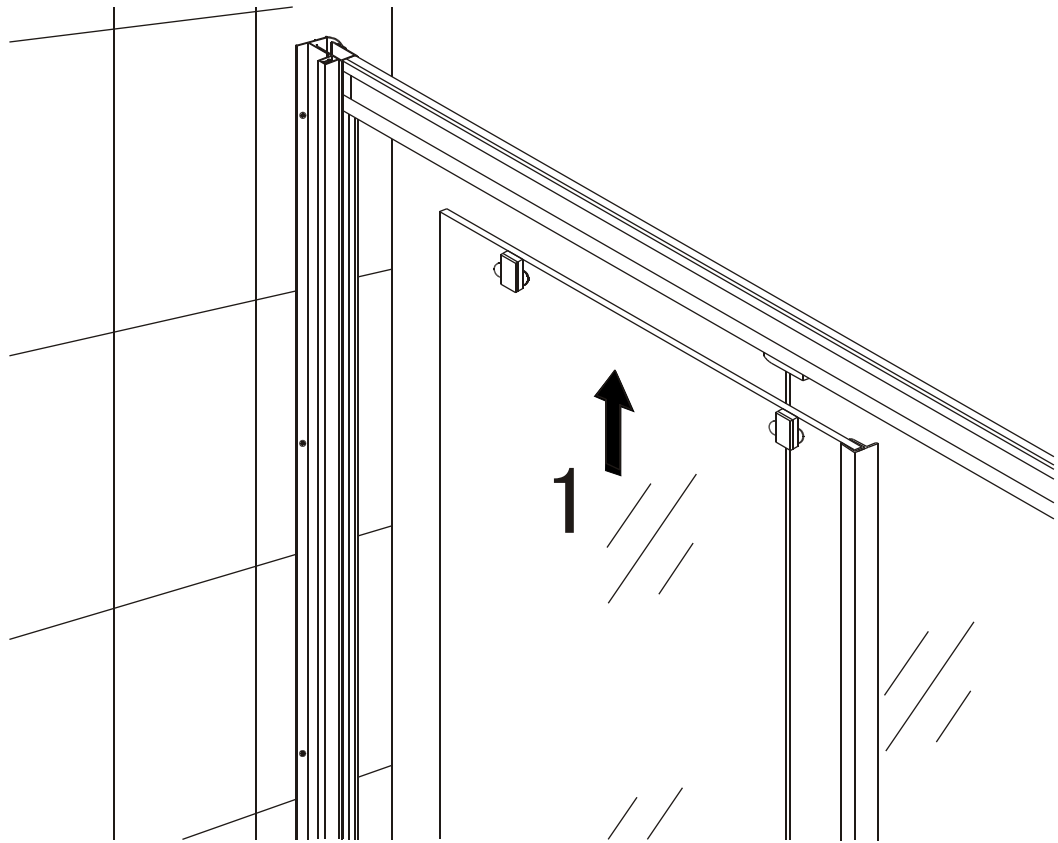
(2)



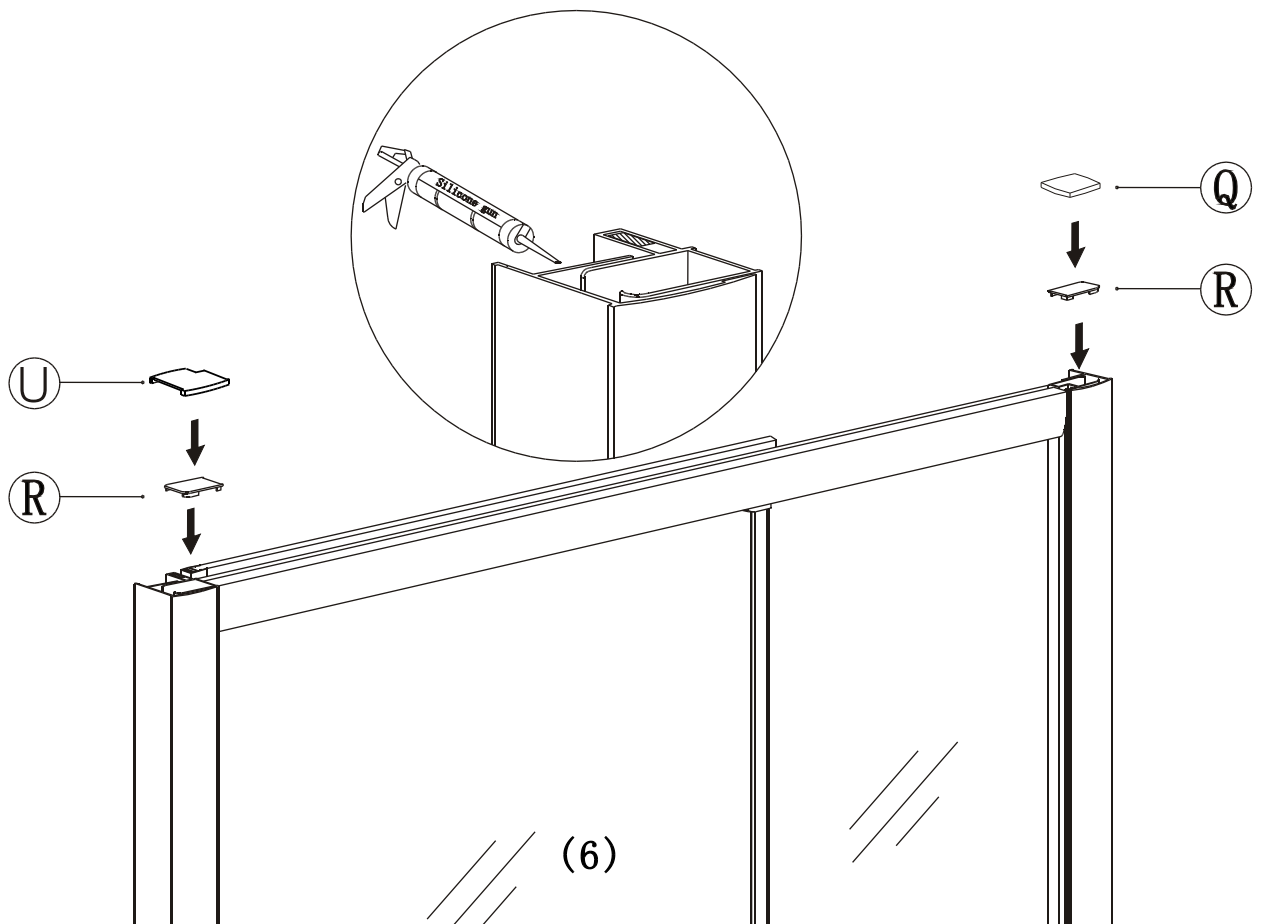
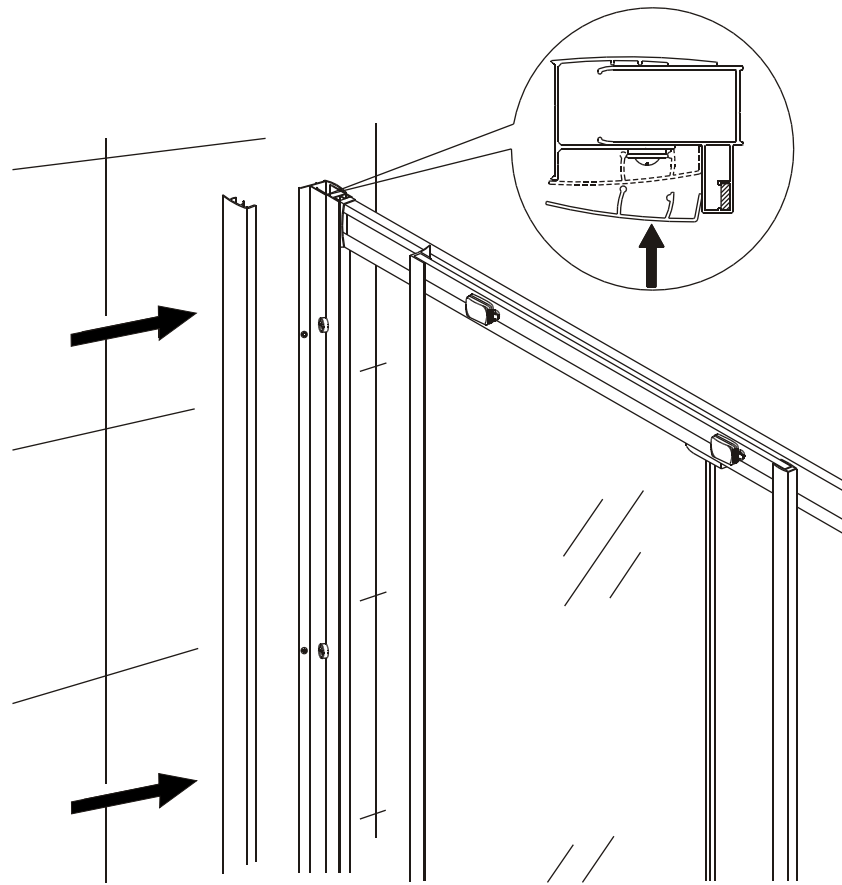
(3)

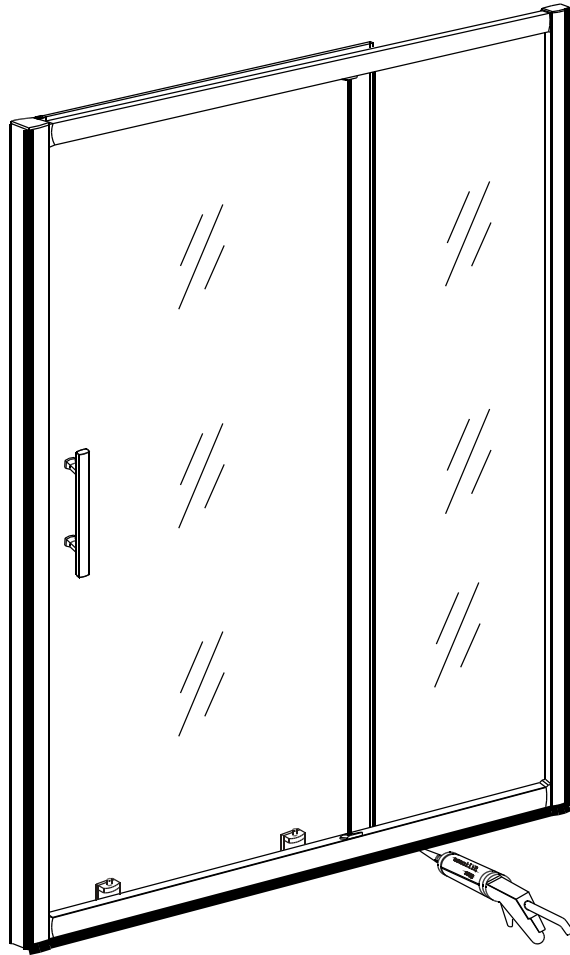


DOWN



(5)





Please ensure silicone sealant is on the outside only.

Cleaning & Maintenance

Don't clean the shower enclosure with irritant detergent such as alcohol, bleach or other chemical cleaners.

Only clean with warm soapy water.

After the installation is completed, should you find that there is notable noise when the glass door moves, you may add a small quantity of lubricant onto the roller wheel, slipping hook and the track.

Helpline: 01452 317890

(7)